



# TOP OILFIELD PRODUCTS

## FLANGED END BALL VALVE-FLOATING

### TFBF CLASS 300 SERIES (2PC)



#### Features:

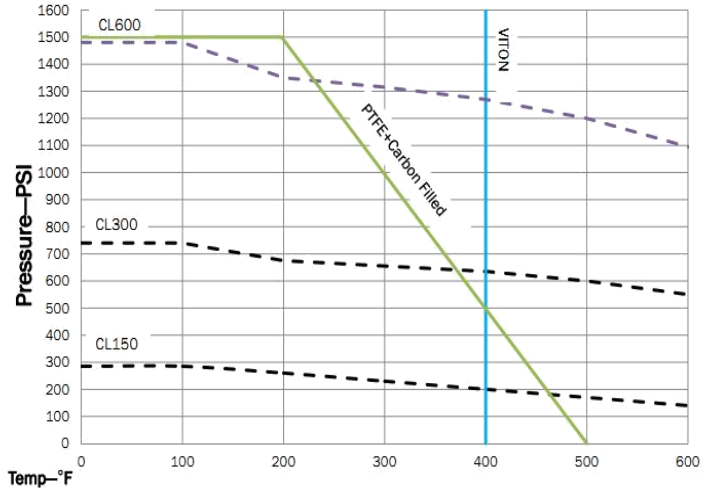
- WCB Cast Body and Adapter Cap
- Anti blowout proof stem design
- Valves Designed to API 6D
- Valves meet ASME B16.34 B16.10 B16.5 and BS5351
- Fire tested to API 6FA
- Locking Devices Standard for Lever or Gear Operated Valves
- NACE MR0175
- Antistatic grounding between ball/stem and body

Specifications		
NOMINAL PRESSURE	740psi	5.1Mpa
SHELL STRENGTH	1125psi	7.8Mpa
SEALING TEST	815psi	5.8Mpa
AIR SEAT PING (AIR)	80.8psi	0.55Mpa

\*Media being ambient water

Carbon Steel  
A216 WCB  
ASME B16.34 Ratings  
Material Limits

### Pressure Temperature Ratings



#### Dimensions(in)

NPS	L	D	C	g	d	N	h	t	f	H	R	T	G	F	K	LO	Torque ft-lb	Weight lbs
2"	8.50	6.50	5.00	3.62	1.93	8	0.75	0.88	0.06	5.91	1/2-20	1.75	0.86	0.55	0.98	12.0	60	33.1
2-1/2"	9.50	7.48	5.87	4.13	2.56	8	0.88	1.02	0.06	6.32	1/4-20	1.75	0.86	0.55	0.98	12.0	110	43.0
3"	11.14	8.27	6.63	5.00	2.91	8	0.87	1.13	0.06	6.88	5/16-18	2.75	1.24	0.86	1.30	20.0	140	70.5
4"	12.01	10.00	7.87	6.18	3.94	8	0.87	1.25	0.06	9.11	3/8-16	4.00	1.37	0.94	1.55	21.7	180	105.8
6"	15.87	12.52	10.63	8.50	5.91	12	0.88	1.44	0.06	12.14	0.71	6.50	1.57	1.06	1.59	31.5	1000	191.8
8"	19.76	14.96	13.00	10.63	7.91	12	1.02	1.64	0.06	14.33	0.71	6.50	1.96	1.41	1.96	56.9	2250	319.7

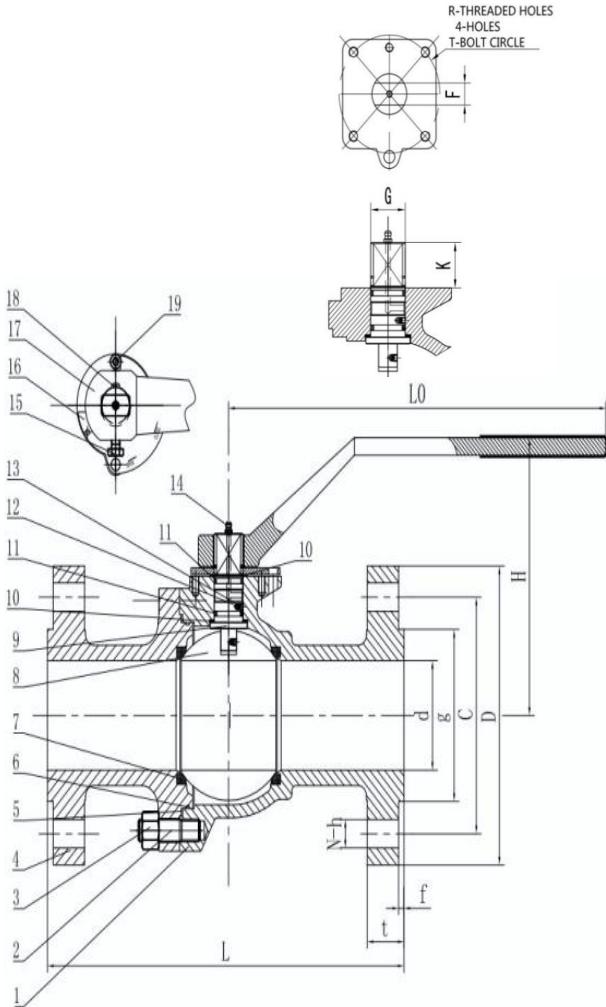
Address: 9239 Alberene Dr. Houston Texas 77074  
Tel: 832-480-3855, E-mail: sales@topoilfieldproducts.com



# TOP OILFIELD PRODUCTS

## FLANGED END BALL VALVE-FLOATING

### TFBF CLASS 300 SERIES (2PC)



#### Parts & Materials

No.	Description	Material
1	BODY	ASTM A216 WCB
2	STUD	ASTM A193 B7
3	NUT	ASTM A194 2H
4	ADAPTER CAP	ASTM A216 WCB
5	GASKET BODY	SS304 + GRAPHITE
6	O-RING BODY	VITON
7	SEAT*	PTFE + 15% GF
8	BALL*	SS316
9	STEM*	SS316
10	STEM GASKET	PTFE
11	O-RING STEM	VITON
12	AN	SS304
13	AN	SS304
14	GREASE ZERK	CARBON STEEL
15	HANDLE SCREW	CARBON STEEL
16	STOP PLATE	CS + ZINC
17	HANDLE	DUCTILE IRON
18	RETAINER	CARBON STEEL
19	STOP SCREW	CARBON STEEL

(\*Customer Requirements)

#### EES Enduro-Bond™ Features

- Protects over wide temperature range.
- Resists direct burial soil stress.
- Excellent chemical resistance.
- Suitable for elevated temperature in the presence of H<sub>2</sub>S, CO<sub>2</sub>, CH<sub>4</sub>, crude oil and brine.
- Domestically assembled with global components and tested to API certifications.
- High adhesion and toughness.
- Resists cavitation and cathodic disbondment

Address: 9239 Alberene Dr. Houston Texas 77074  
 Tel: 832-480-3855, e-mail: sales@topoilfieldproducts.com