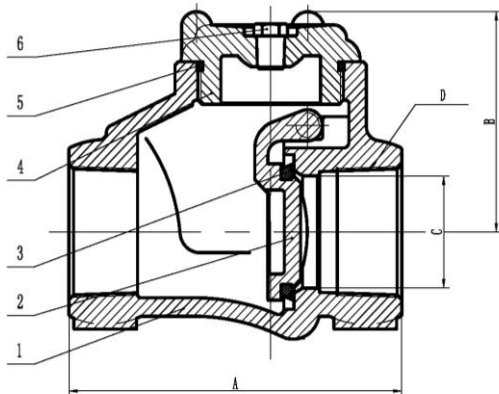




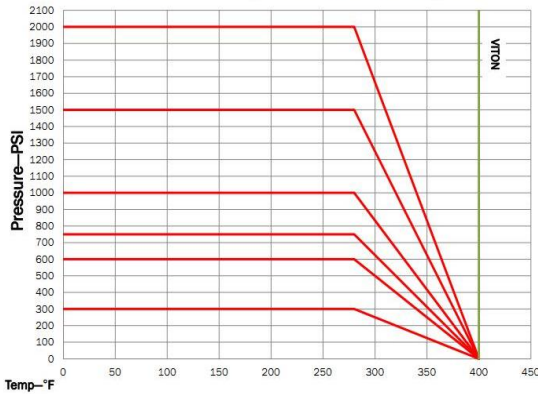
TOP OILFIELD PRODUCTS

DUCTILE IRON SWING CHECK

TKAD SERIES



Pressure Temperature Ratings



Features:

- DUCTILE IRON SWING CHECK VALVES
- SIZE RANGE (1" - 4") / 2" LONG BODY
- DUCTILE IRON: 300-2000 W.O.G.
- FULL OPENING
- THREADED ENDS CONFORM TO ANSI B1.20.1(NPT)
- NACE MR0175

Parts & Materials

NO.	Description	Material
1	BODY	DUCTILE IRON
2	DISC	ASTM A351 CF8
3	O-RING	VITON
4	BONNET	DUCTILE IRON A395
5	GASKET	VITON
6	BONNET SCREW	CARBON STEEL

Dimensions(in)

Size	Part #	Connection	Pressure	Weight (lbs)	A	B	C	D
1"	TKAD06V__	FNPT	300~2000	5.86	4.72	3.23	1	11.5NPT
2"	TKAD09V__	FNPT	300~2000	12.13	6.30	4.09	2	11.5NPT
2"	TKAD09V__L	FNPT	300~2000	15.34	7.25	4.09	2	11.5NPT
3"	TKAD11V__	FNPT	300~2000	22.49	8.25	5	3	8NPT
4"	TKAD12V__	FNPT	300~2000	35.8	9.8	6	4	8NPT
4"	TKAD12V__	FNPT	300~2000	57.8	10	8	4	8NPT

Address: 9239 Alberene Dr. Houston Texas 77074

Tel: 832-480-3855, e-mail: sales@topoilfieldproducts.com