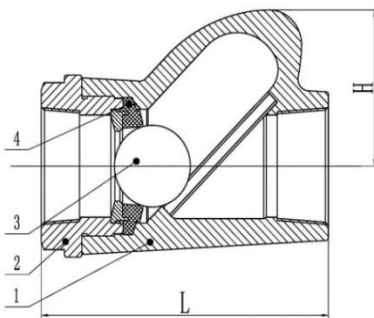




# TOP OILFIELD PRODUCTS

## BALL CHECK VALVES

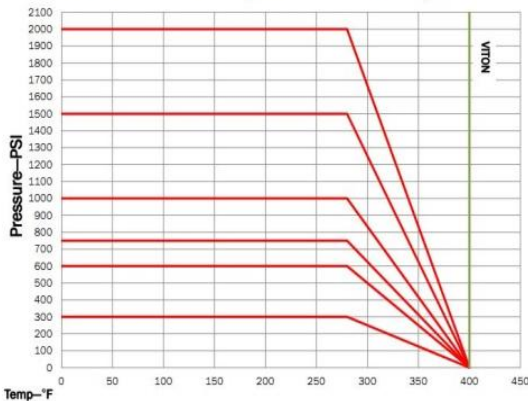
### TKBD/TKBC/TKBS SERIES



#### Features:

- DUCTILE IRON/CARBON STEEL/STAINLESS STEEL "BALL" CHECK VALVES
- 1" - 2" SIZE RANGE
- DUCTILE IRON: 1000-2000WOG PRESSURE RANGE  
CARBON STEEL: 2000-5000WOG PRESSURE RANGE  
STAINLESS STEEL: 2000-5000WOG PRESSURE RANGE
- VITON SEATS
- THREADED ENDS CONFORM TO ANSI B1.20.1(NPT)
- NACE MR0175

#### Pressure Temperature Ratings



#### Parts & Materials

NO.	Description	Material		
1	BODY	DUCTILE IRON ASTM A395	CAST STEEL ASTM A216 WCB	STAINLESS STEEL ASTM A351 CF8M
2	ADAPTER	DUCTILE IRON ASTM A396	CAST STEEL ASTM A216 WCB	STAINLESS STEEL ASTM A351 CF8M
3	BALL	316SS	316SS	316SS
4	SEAT	VITON	VITON	VITON

NOTE: VITON RATED TO 400 DEG F MAX.

#### Dimensions(in)

Material	Size	Part #	Connection	Pressure	Weight(lbs)	L	H
Ductile Iron	1"	TKBD06V20	FNPT	2000	3.75	4.49	2.06
	2"	TKBD09V20	FNPT	2000	11.91	6.62	3.37
Carbon Steel	1"	TKBC06V30	FNPT	3000	3.86	4.49	2.06
	1"	TKBC06V50	FNPT	5000	4.86	4.49	2.06
	2"	TKBC09V30	FNPT	3000	12.46	6.62	3.37
	2"	TKBC09V50	FNPT	5000	12.46	6.62	3.37
Stainless Steel	1"	TKBS06V50	FNPT	5000	3.97	4.49	2.06
	2"	TKBS09V50	FNPT	5000	12.57	6.62	3.37

Address: 9239 Alberene Dr. Houston Texas 77074

Tel: 832-480-3855, e-mail: sales@topoilfieldproducts.com