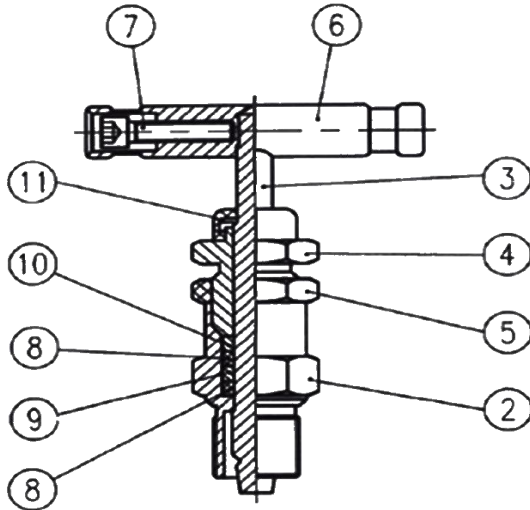




# TOP OILFIELD PRODUCTS

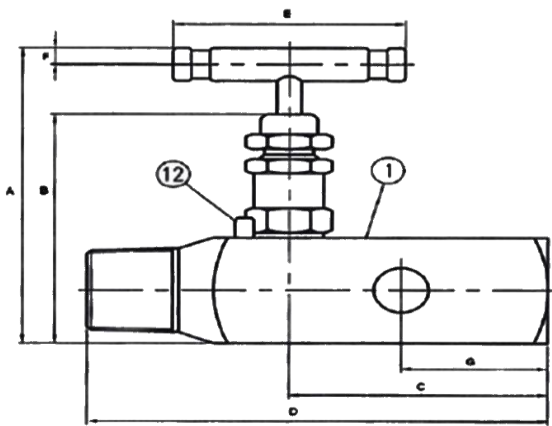
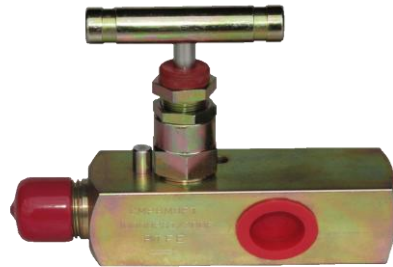
## TNCMP-10000 (MXF)

### CARBON STEEL MULTI-PORT NEEDLE VALVE



#### Specifications:

- RATED TO 10,000 PSI (T TYPE)
- CARBON STEEL CONSTRUCTION
- TEFLON PACKING AND SEALS
- WORKING TEMPERATURE(-20 DEG. F TO 200 DEG. F)
- THREADS CONFORM TO ASME B1.20.1
- NACE MR0175



#### Parts & Materials

NO.	Description	Material
1	VALVE BODY	CARBON STEEL
2	BONNET	CARBON STEEL
3	STEM	SS304
4	PACKING NUT	CARBON STEEL
5	FIXING SCREW	CARBON STEEL
6	HANDLE	CARBON STEEL
7	HANDLE FIXING SCREW	CARBON STEEL
8	PACKING	TEFLON
9	BACK UP RING	SS304
10	BACK UP RING	SS304
11	DUST CAP	NBR
12	BONNET LOCK PIN	SS304

#### Dimensions(in)

NPS	Part #	Description	A	B	C	D	E	F	G
1/2"	TNCMP8M8FT	CARBON STEEL Mx3F 6000psi	3.54	2.74	2.49	4.44	2.24	0.196	1.41

Due to continuous improvements, design may change without prior notice.

Address:9239 Alberene Road Houston Texas 77074  
 Tel:832-480-3855 E-Mail: Sales@topoilfieldproducts.com