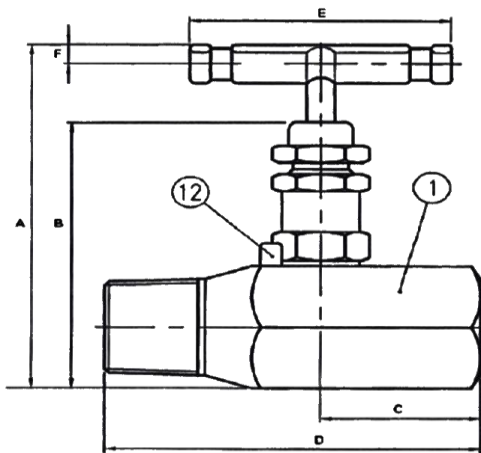
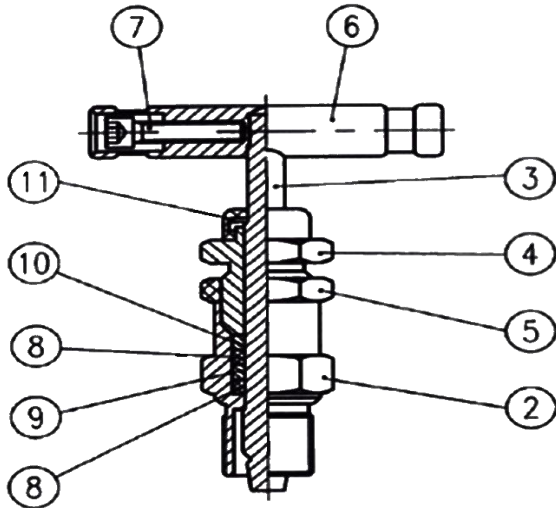




TOP OILFIELD PRODUCTS

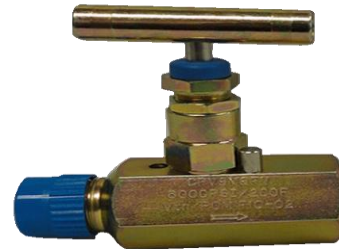
TNCPV 10000 (M X F)

CARBON STEEL NEEDLE VALVE



Specifications:

- RATED TO 10000 PSI (T TYPE)
- CARBON STEEL CONSTRUCTION
- TEFLON PACKING
- WORKING TEMPERATURE (-20 DEG. F TO 200 DEG. F)
- THREADS CONFORM TO ASME B1.20.1
- AVAILABLE IN (MxM) (MxF) (FxF)
- NACE MR0175



Parts & Materials

NO.	Description	Materials
1	BODY	CARBON STEEL
2	BONNET	CARBON STEEL
3	STEM	SS304
4	PACKING NUT	CARBON STEEL
5	FIXING SCREW	CARBON STEEL
6	HANDLE	CARBON STEEL
7	HANDLE FIXING SCREW	CARBON STEEL
8	PACKING	TEFLON
9	BACK UP RING	SS304
10	BACK UP RING	SS304
11	DUST CAP	NBR
12	BONNET LOCK PIN	SS303

Dimensions(in)

NPS	Part #	Description	A	B	C	D	E	F
1/4"	*TNCPV4M4FT	CARBON STEEL (M x F) 10000 PS	3.544	2.74	1.37	3.22	2.24	0.25
1/2"	TNCPV8M8FT	CARBON STEEL (M x F) 10000 PS	3.544	2.74	1.37	3.22	2.24	0.25
3/4"	*TNCPV12M12FT	CARBON STEEL (M x F) 10000 PS	3.544	2.74	1.37	3.28	2.24	0.25
1"	*TNCPV16M16FT	CARBON STEEL (M x F) 10000 PS	3.544	2.74	1.57	3.7	2.24	0.25

Due to continuous improvements, design may change without prior notice.

*Asterisked sizes are available from the manufacture upon request. (90+day lead time)

Address:9239 Alberene Road Houston Texas 77074
Tel:832-480-3855 E-Mail: Sales@topoilfieldproducts.com