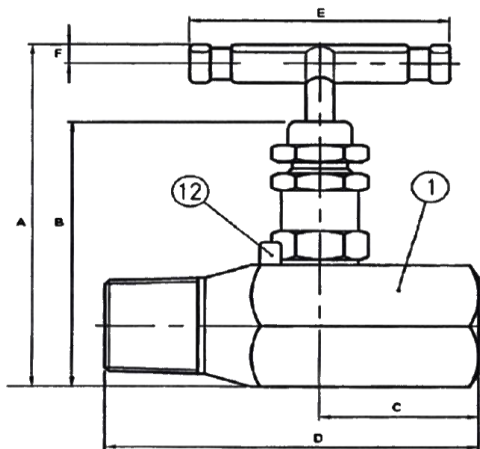
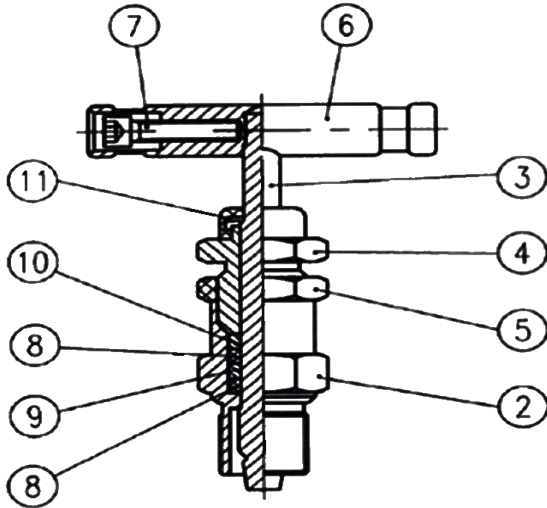




TOP OILFIELD PRODUCTS

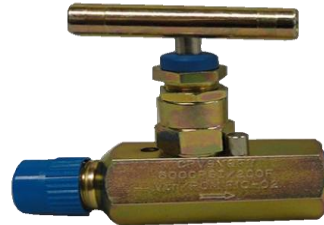
TNCPV 6000 (M X F)

CARBON STEEL NEEDLE VALVE



Specifications:

- RATED TO 6000 PSI (V TYPE)
- CARBON STEEL CONSTRUCTION
- TEFLON / VITON PACKING AND SEALS
- WORKING TEMPERATURE
- THREADS CONFORM TO ASME B1.20.1
- AVAILABLE IN (MxM) (MxF)
- NACE MR0175



Parts & Materials

NO.	Description	Materials
1	BODY	CARBON STEEL
2	BONNET	CARBON STEEL
3	STEM	SS304
4	PACKING NUT	CARBON STEEL
5	FIXING SCREW	CARBON STEEL
6	HANDLE	CARBON STEEL
7	HANDLE FIXING SCREW	CARBON STEEL
8	PACKING	VITON
9	BACK UP RING	TEFLON
10	BACK UP RING	TEFLON
11	DUST CAP	NBR
12	BONNET LOCK PIN	SS303

Dimensions(in)

NPS	Part #	Description	A	B	C	D	E	F
1/4"	TNCPV4M4FV	CARBON STEEL (M x F) 6000PSI	3.54	2.74	1.37	3.22	2.24	0.25
	*TNCPV8M4FV	CARBON STEEL (M x F) 6000PSI						
1/2"	TNCPV8M8FV	CARBON STEEL (M x F) 6000PSI	3.54	2.74	1.37	3.22	2.24	0.25
3/4"	*TNCPV12M12FV	CARBON STEEL (M x F) 6000PSI	3.54	2.74	1.37	3.22	2.24	0.25
1"	TNCPV16M16FV	CARBON STEEL (M x F) 6000PSI	3.54	2.74	1.37	3.7	2.24	0.25

Due to continuous improvements, design may change without prior notice.

*Asterisked sizes are available from the manufacture upon request. (90+day lead time)

Address:9239 Alberene Road Houston Texas 77074
 Tel:832-480-3855 E-Mail: Sales@topoilfieldproducts.com