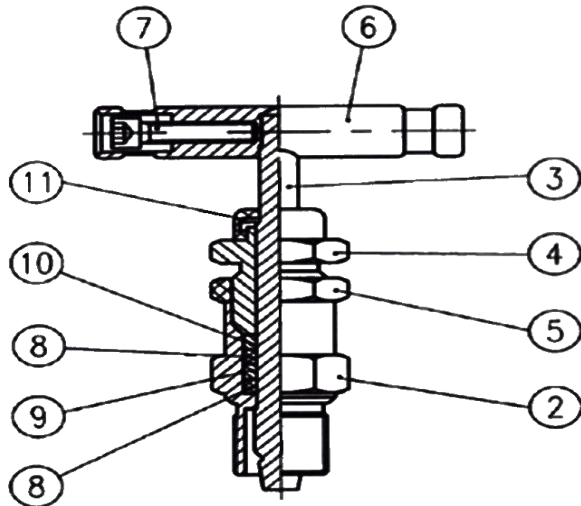




TOP OILFIELD PRODUCTS

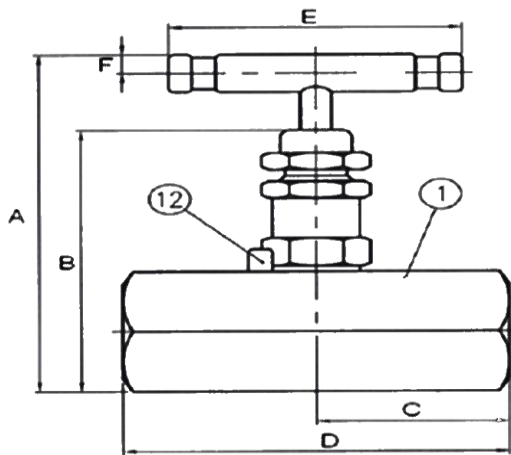
TNSPV 6000 (F X F)

STAINLESS STEEL NEEDLE VALVE



Specifications:

- RATED TO 6000 PSI (V TYPE)
- STAINLESS STEEL CONSTRUCTION
- TEFLON PACKING
- WORKING TEMPERATURE (-20 DEG. F TO 200 DEG. F)
- THREADS CONFORM TO ASME B1.20.1
- NACE MR0175



Parts & Materials

NO.	Description	Materials
1	BODY	SS316
2	BONNET	SS316
3	STEM	SS316
4	PACKING NUT	SS316
5	FIXING SCREW	SS316
6	HANDLE	SS303
7	HANDLE FIXING SCREW	SS302
8	PACKING	VIOTN O-RING
9	BACK UP RING	TEFLON
10	BACK UP RING	TEFLON
11	DUST CAP	NBR
12	BONNET LOCK PIN	SS303

Dimensions(in)

NPS	Part #	Description	A	B	C	D	E	F
1/4"	TNSPV4F4FV	STAINLESS STEEL (F x F) 6000PSI	3.54	2.74	1.47	2.95	2.24	0.19
1/2"	TNSPV8F8FV	STAINLESS STEEL (F x F) 6000PSI	3.54	2.74	1.47	2.95	2.24	0.19
3/4"	*TNSPV12F12FV	STAINLESS STEEL (F x F) 6000PSI	3.54	2.74	1.47	2.95	2.24	0.19
1"	*TNSPV16F16FV	STAINLESS STEEL (F x F) 6000PSI	3.54	2.74	1.47	2.95	2.24	0.19

Due to continuous improvements, design may change without prior notice.

*Asterisked sizes are available from the manufacture upon request. (90+day lead time)

Address:9239 Alberene Road Houston Texas 77074
Tel:832-480-3855 E-Mail: Sales@topoilfieldproducts.com