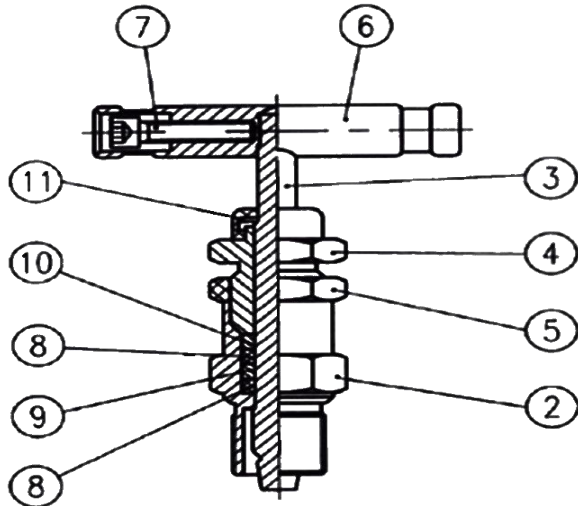




TOP OILFIELD PRODUCTS

TNSPV 6000 (M X F)

STAINLESS STEEL NEEDLE VALVE



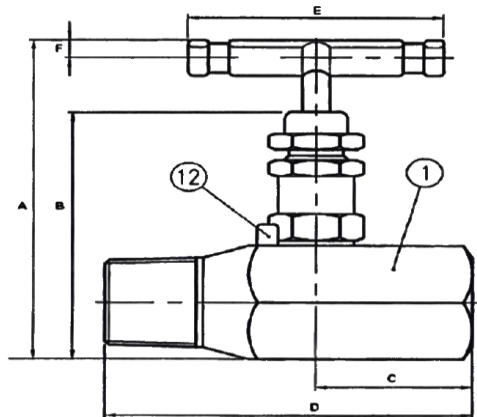
Specifications:

- RATED TO 6000 PSI (V TYPE)
- STAINLESS STEEL CONSTRUCTION
- TEFLON / VITON PACKING AND SEALS
- WORKING TEMPERATURE (-20 DEG. F TO 200 DEG. F)
- THREADS CONFORM TO ASME B1.20.1
- AVAILABLE IN (MxM) / (MxF)
- NACE MR0175



Parts & Materials

NO.	Description	Materials
1	BODY	SS316
2	BONNET	SS316
3	STEM	SS316
4	PACKING NUT	SS316
5	FIXING SCREW	SS316
6	HANDLE	SS303
7	HANDLE FIXING SCREW	SS302
8	PACKING	VITON O-RING
9	BACK UP RING	TEFLON
10	BACK UP RING	TEFLON
11	DUST CAP	NBR
12	BONNET LOCK PIN	SS303



Dimensions(in)

NPS	Part #	Description	A	B	C	D	E	F
1/4"	TNSPV4M4FV	STAINLESS STEEL (M x F) 6000PSI	3.54	2.74	1.37	3.22	2.24	0.25
3/8"	*TNSPV38M38FV	STAINLESS STEEL (M x F) 6000PSI	3.54	2.74	1.37	3.22	2.24	0.25
1/2"	TNSPV8M8FV	STAINLESS STEEL (M x F) 6000PSI	3.54	2.74	1.37	3.22	2.24	0.25
3/4"	*TNSPV12M12FV	STAINLESS STEEL (M x F) 6000PSI	3.54	2.74	1.37	3.22	2.24	0.25
1"	TNSPV16M16FV	STAINLESS STEEL (M x F) 6000PSI	4.25	2.95	1.57	3.7	2.24	0.25

Due to continuous improvements, design may change without prior notice.

*Asterisked sizes are available from the manufacture upon request. (90+day lead time)

Address: 9239 Alberene Road Houston Texas 77074
 Tel: 832-480-3855 E-Mail: Sales@topoilfieldproducts.com