



# TOP OILFIELD PRODUCTS

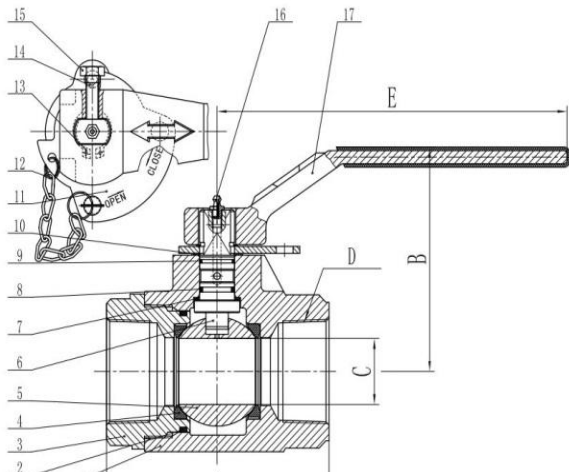
## CARBON STEEL BALL VALVE

### TBAC-RP SERIES

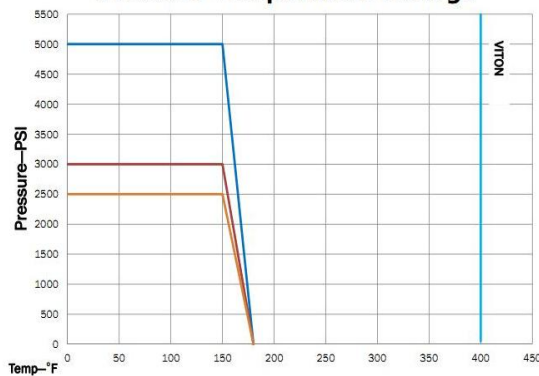


#### Features:

- 2500/3000/5000 W.O.G. STANDARD PORT
- CAST STEEL BODY
- BLOW OUT PROOF STEM
- DELRIN/MOLON SEAT
- INSPECTION AND TEST: API598
- THREADS CONFORM TO ASME B1.20.1 (NPT)
- NACE MR-01-75



Pressure Temperature Ratings



#### Parts & Material

NO.	Description	Material
1	BODY	ASTM A216 WCB
2	BODY SEAL	VITON
3	ADAPTER	ASTM A216 WCB
4	SEATS	DELRIN
5	BALL	SS420
6	STEM	ASTM A276 420
7	THRUST BEARING	PTFE
8	STEM SEAL	VITON
9	STEM SEAL	VITON
10	STEM BEARING	PTFE
11	STOP PLATE	STEEL PLATE
12	PIN WITH CHAIN	STAINLESS STEEL
13	RETAINER RING	SPRING STEEL
14	STOP PIN	SPRING STEEL
15	HEXAGON BOLTS	CARBON STEEL
16	GREASE ZERK	CARBON STEEL
17	HANDLE	DUCTILE IRON

#### Dimensions(in)

Size	Part #	Port	Pressure	Weight(lbs)	A	B	C	D	E
2"	TBAC09L25	RP	2500	12.15	5.51	5.53	1.50	11.5NPT	10.00
2"	TBAC09L30	RP	3000	12.15	5.51	5.53	1.50	11.5NPT	10.00
2"	TBAC09L50	RP	5000	12.83	5.51	5.12	1.50	11.5NPT	10.00
3"	TBAC11L30	RP	3000	23.02	8.24	5.93	2.02	8NPT	10.00
4"	TBAC12L20	RP	2000	42.90	8.72	6.87	3.02	8NPT	15.00

Address: 9239 Alberene Dr. Houston Texas 77074  
 Tel: 832-480-3855, e-mail: sales@topoilfieldproducts.com