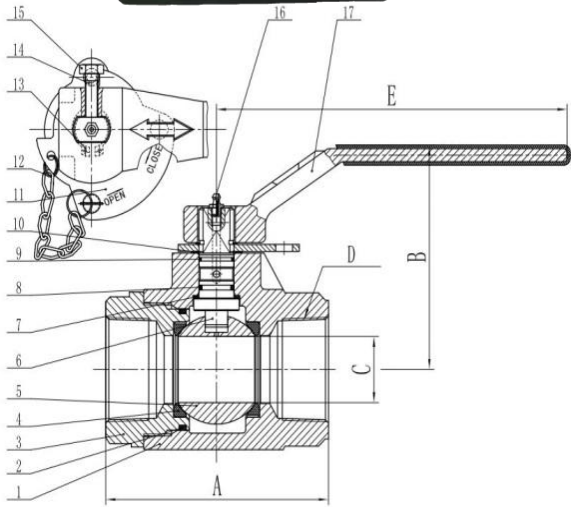




# TOP OILFIELD PRODUCTS

## DUCTILE IRON BALL VALVE

### TBAD-RP SERIES



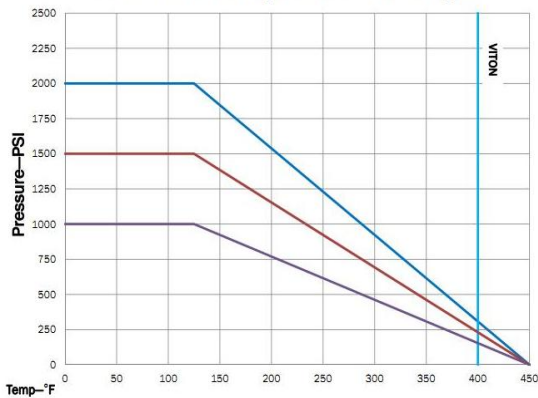
#### Features:

- 1000/1500/2000 W.O.G. (STANDARD PORT)
- DUCTILE IRON BODY
- BLOW OUT PROOF STEM
- (1"-2") RPTFE / (3"-4") DELRIN SEAT
- INSPECTION AND TEST: API598
- THREADS CONFORM TO ASME B1.20.1(NPT)
- NACE MR-01-75

#### Parts & Materials

NO.	Description	Material
1	BODY	ASTM A395 DI
2	BODY SEAL	VITON
3	ADAPTER	ASTM A395 DI
4	SEATS	PTFE + 15%GF / DELRIN
5	BALL	SS420
6	STEM	ASTM A276 420
7	THRUST BEARING	PTFE
8	STEM SEAL	VITON
9	STEM SEAL	VITON
10	STEM BEARING	PTFE
11	STOP PLATE	STEEL PLATE
12	PIN WITH CHAIN	STAINLESS STEEL
13	RETAINER RING	SPRING STEEL
14	STOP PIN	SPRING STEEL
15	HEXAGON BOLTS	CARBON STEEL
16	GREASE ZERK	CARBON STEEL
17	HANDLE	DUCTILE IRON

#### Pressure Temperature Ratings



#### Dimensions(in)

Size	Part #	Port	Pressure	Weight (lbs)	A	B	C	D	E
2"	TBAD09R10	RP	1000	11.29	5.51	5.59	1.50	11.5NPT	8.54
2"	TBAD09R15	RP	1500	11.29	5.51	5.59	1.50	11.5NPT	8.54
2"	TBAD09R20	RP	2000	11.29	5.51	5.59	1.50	11.5NPT	8.54
3"	TBAD11R10	RP	1000	19.44	7.44	5.53	2.05	8NPT	10.00
3"	TBAD11R15	RP	1500	19.44	7.44	5.53	2.05	8NPT	10.00
3"	TBAD11R20	RP	2000	19.44	7.44	5.53	2.05	8NPT	10.00
4"	TBAD12R10	RP	1000	35.16	8.70	6.85	2.99	8NPT	13.50

Address: 9239 Alberene Dr. Houston Texas 77074  
 Tel: 832-480-3855, e-mail: sales@topoilfieldproducts.com