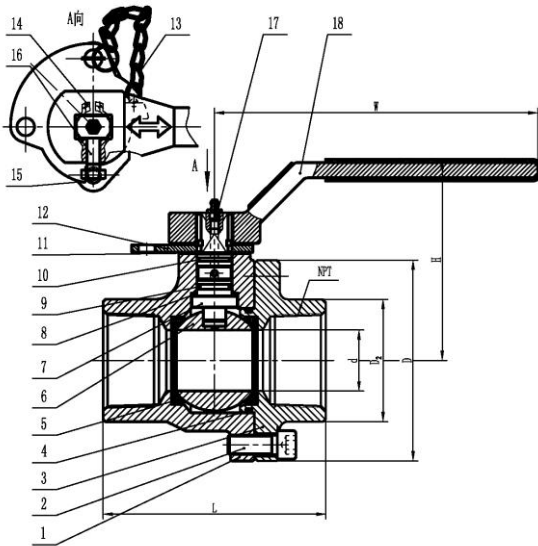




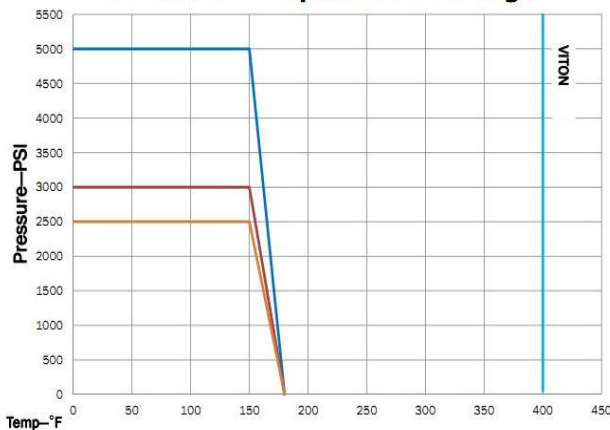
# TOP OILFIELD PRODUCTS

## BOLTED BODY BALL VALVE

### TBBC SERIES



Pressure Temperature Ratings



#### Features:

- Back-seated stem blow out proof and fire safe
- External stem lubrication and vented weather seal
- SS trim for maximum corrosion protection
- Available in both FULL and REDUCED port
- Ball includes pressure equalization hole to prevent trapped pressure in the body cavity
- Standard locking handle to meet safety and security concerns with double locking feature for tank valves
- NACE MR0175
- Inspection and Test: API598

#### Parts & Materials

NO.	Description	Material
1	BODY	ASTM A216 WCB
2	CAP SCREW	A193 B7
3	ADAPTER	ASTM A216 WCB
4	BODY O-RING	VITON
5	BALL SEAT	DELRIN
6	BALL	SS304
7	STEM	SS304
8	THRUST BEARING	PTFE
9	STEM SEAL O-RING	VITON
10	STEM SEAL O-RING	VITON
11	STEM BEARING	PTFE
12	STOP PLATE	STEEL PLATED
13	PIN WITH CHAIN	STEEL
14	RETAINER RING	SPRING STEEL
15	STOP PIN	SPRING STEEL
16	SCREW	STEEL
17	GREASE ZERK	CARBON STEEL
18	HANDLE	DUCTILE IRON

#### Dimensions(in)

NPS	Part #	Port	Pressure	L	D	D2	d	H	W
2"	TBBC09L30	RP	3000	5.50	4.88	3.00	2x1.5	4.94	8.00
3"	TBBC11L30	RP	3000	7.25	6.88	4.25	3X2	5.31	8.00
4"	TBBC12L30	RP	3000	8.63	8.00	5.25	4x3	6.75	15.00

Address: 9239 Alberene Dr. Houston Texas 77074

Tel: 832-480-3855, e-mail: sales@topoilfieldproducts.com