



# TOP OILFIELD PRODUCTS

## TRUNNION MOUNTED BALL VALVE

### TF3T CLASS 600 SERIES (3PC)

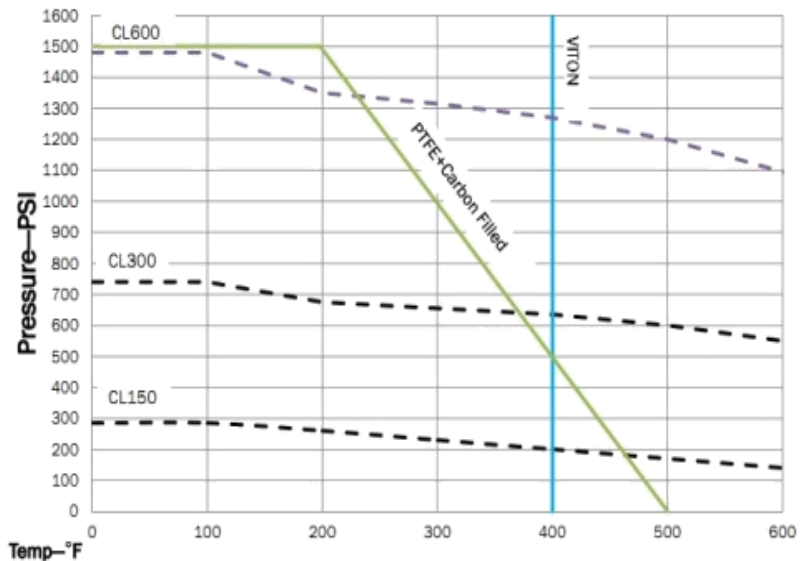


#### Features

- Forged Steel A105 Body and Adapter Cap
- Anti blowout proof stem design
- O-ring Stem Seal Design backed by Firesafe Seal
- Valves designed to API 6D
- Valves meet ASME B16.34 B16.10 B16.5 and BS5351
- Fire tested to API 6FA and 607
- Locking Devices Standard for Lever or Gear Operated Valves
- NACE MR0175
- Emergency Seat Sealant Injection Standard On 4" Bore And Larger
- ISO 5211 Compatible Mounting Pads
- Double block and bleed
- 6" & Larger valves are equipped with Lifting lugs
- 2"-3" Lever / 4"-6" Gear Operated Valves

Carbon Steel  
A216 WCB  
ASME B16.34 Ratings  
Material Limits

#### Pressure Temperature Ratings



#### Specifications

NOMINAL PRESSURE	1480psi	10.2Mpa
SHELL STRENGTH	2225psi	15.3Mpa
SEALING TEST	1630Psi	11.5Mpa
AIR SEAT PING (AIR)	803PSI	0.55mPA

\*Media being ambient water

#### Dimensions(in)

NPS	L-RP	L-RTJ	D	C	g	d	N	h	t	f	H	N-R	T	F	K	LO	Torque Ft Lb	Weight Lbs
2"	11.50	11.61	6.50	5.00	3.62	1.97	8	0.75	1.02	0.28	8.18					12.01	100	74.95
3"	14.02	14.13	8.27	6.63	5.00	2.99	8	0.87	1.25	0.28	6.88					20.00	179.9	124.67
4"	17.01	17.13	10.75	8.50	6.18	3.94	8	1.02	1.50	0.28	8.84	4-0.71	5.51	0.47	2.12	12.60	236	274.14
6"	22.01	22.13	14.02	11.50	8.50	5.91	12	1.14	1.89	0.28	11.63	4-0.92	6.50	0.47	2.63	17.99	664	559.97

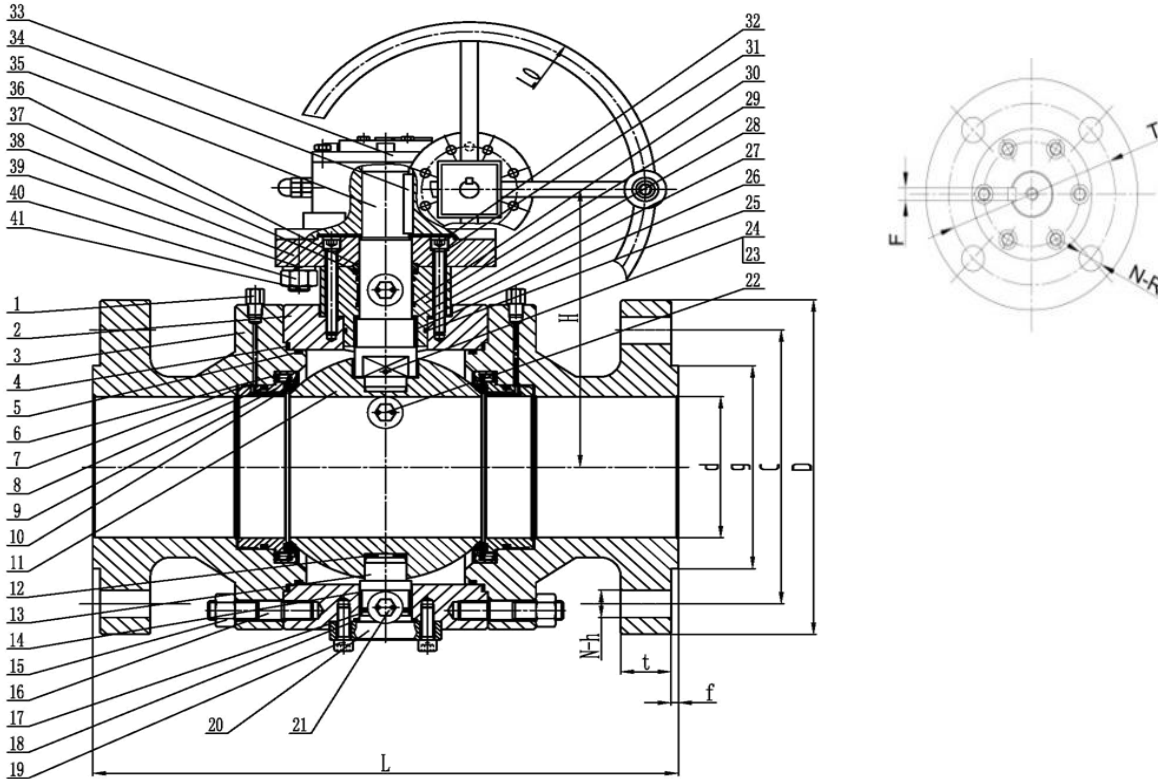
Address: 9239 Alberene Dr. Houston Texas 77074  
Tel: 832-480-3855, e-mail: sales@topoilfieldproducts.com



# TOP OILFIELD PRODUCTS

## TRUNNION MOUNTED BALL VALVE

### TF3T CLASS 600 SERIES (3PC)



#### Parts & Materials

NO.	Description	Material	NO.	Description	Material
1	SEAT INJECTION FITTING	ASTM A105	22	BLEED VALVE	ASTM A105
2	BODY	ASTM A105	23	ANTISTATIC STEEL BALL	SS304
3	ADAPTER CAP	ASTM A105	24	ANTISTATIC SPRING	SS304
4	GASKET BODY	SS304+GRAPHITE	25	GLAND PLATE O-RING	VITON
5	O-RING BODY	VITON	26	BEARING	SS304 + PTFE
6	SPRING	17-7PH	27	GASKET CAP	SS304 + GRAPHITE
7	SEAT (FIRE SEAL)	GRAPHITE	28	GASKET	PTFE + CARBON FIBER
8	O-RING SEAT	VITON	29	UPPER CAP	AISI 1045
9	SEAT RING	ASTM A182 F316	30	O-RING	VITON
10	SEAT ASSEMBLY	PTFE + CARBON FIBER	31	SPRING WASHER CAP	AISI 1065
11	BALL	ASTM A276 F316	32	CAP SCREW	ASTM A193 B7
12	GASKET	PTFE + CARBON FIBER	33	GEAR OPERATOR	CAST IRON CASE
13	TRUNNION	ASTM A276 F316	34	STEM KEY	AISI 1045
14	TRUNNION BEARING	SS304 + PTFE	35	STEM	ASTM A276 F316
15	NUT BODY	ASTM A194 2H	36	GLAND FLANGE	SS410
16	STUD BODY	ASTM A193 B7	37	GLAND PACKING	GRAPHITE
17	O-RING (TRUNNION)	VITON	38	ADAPTER PLATE	AISI 1045
18	GASKET (TRUNNION)	SS304 + GRAPHITE	39	SPRING WASHER	AISI 1065
19	LOWER CAP SCREW	ASTM A193 B7	40	NUT	ASTM A194 2H
20	TRUNNION PLATE	AISI 1045	41	STUD	ASTM A193 B7
21	BODY VENT PLUG	ASTM A105			

Address: 9239 Alberene Dr. Houston Texas 77074

Tel: 832-480-3855, e-mail: sales@topoilfieldproducts.com