



TOP OILFIELD PRODUCTS

FLANGED END BALL VALVE-FLOATING

TFBF CLASS 150 SERIES (2PC)



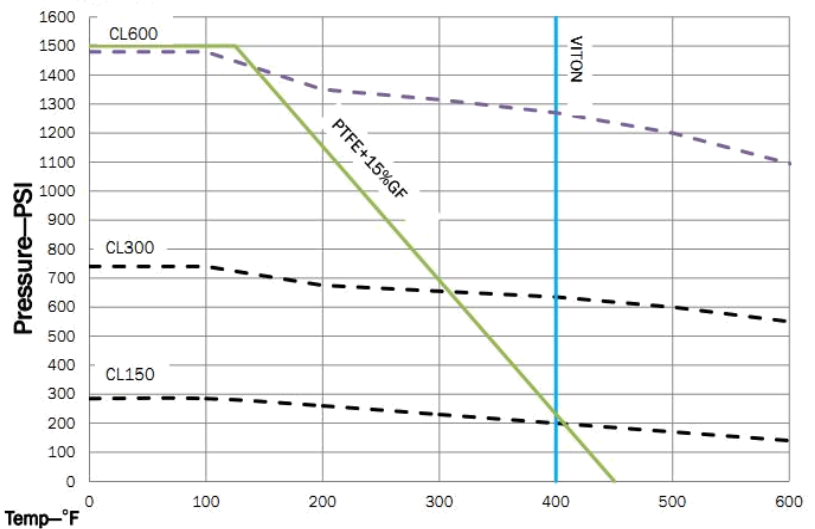
Features:

- WCB Cast Body and Adapter Cap
- Anti blowout proof stem design
- Valves Designed to API 6D
- Valves meet ASME B16.34 B16.10 B16.5 and BS5351
- Fire tested to API 6FA
- Locking Devices Standard for Lever or Gear Operated Valves
- NACE MR0175
- Antistatic grounding between ball/stem and body

Carbon Steel

A216 WCB
ASME B16.34 Ratings
Material Limits

Pressure Temperature Ratings



Specifications

| | | |
|---------------------|---------|---------|
| NOMINAL PRESSURE | 285psi | 2.0Mpa |
| SHELL STRENGTH | 450psi | 3.0Mpa |
| SEALING TEST | 315psi | 2.2Mpa |
| AIR SEAT PING (AIR) | 80.8psi | 0.55Mpa |

*Media being ambient water

Dimensions(in)

| NPS | L | D | C | g | d | N | h | t | f | H | R | T | G | F | K | LO | Torque ft.lb | Weight Lbs |
|--------|-------|-------|-------|-------|------|----|------|------|------|-------|---------|------|------|------|------|------|-----------------|---------------|
| 1" | 5.00 | 4.33 | 3.13 | 2.01 | 1.00 | 4 | 0.63 | 0.47 | 0.06 | 4.27 | M6 | 1.80 | 0.63 | 0.37 | 0.94 | 6.2 | 11 | 9.0 |
| 2" | 7.00 | 5.98 | 4.75 | 3.62 | 1.93 | 4 | 0.75 | 0.63 | 0.06 | 5.91 | 1/4-20 | 1.75 | 0.86 | 0.55 | 0.98 | 12.0 | 50 | 26.5 |
| 2-1/2" | 7.52 | 7.09 | 5.50 | 4.13 | 2.56 | 4 | 0.75 | 0.71 | 0.06 | 6.32 | 1/4-20 | 1.75 | 0.86 | 0.55 | 0.98 | 12.0 | 70 | 33.1 |
| 3" | 8.00 | 7.50 | 6.00 | 5.00 | 2.91 | 4 | 0.75 | 0.75 | 0.06 | 6.88 | 5/16-18 | 2.75 | 1.24 | 0.86 | 1.34 | 14.0 | 90 | 46.3 |
| 4" | 9.00 | 9.00 | 7.50 | 6.18 | 3.94 | 8 | 0.75 | 0.94 | 0.06 | 9.11 | 3/8-16 | 4.00 | 1.37 | 0.94 | 1.56 | 21.7 | 130 | 77.2 |
| 5" | 14.02 | 10.04 | 8.50 | 7.32 | 4.92 | 8 | 0.88 | 0.96 | 0.06 | 10.83 | 0.55 | 4.92 | 1.37 | 0.94 | 1.50 | 25.6 | 200 | 0.0 |
| 6" | 15.50 | 10.98 | 9.50 | 8.50 | 5.91 | 8 | 0.88 | 1.00 | 0.06 | 12.14 | 0.71 | 6.50 | 1.57 | 1.06 | 1.59 | 31.5 | 625 | 145.5 |
| 8" | 18.00 | 13.58 | 11.75 | 10.63 | 7.91 | 8 | 0.88 | 1.13 | 0.06 | 14.33 | 0.71 | 6.50 | 1.96 | 1.40 | 1.97 | 39.4 | 1000 | 220.5 |
| 10" | 20.98 | 15.94 | 14.25 | 12.76 | 9.92 | 12 | 1.02 | 1.20 | 0.06 | 13.50 | 0.71 | 6.50 | 1.77 | 0.47 | 2.26 | 18.0 | 1916 | 473.1 |

Address: 9239 Alberene Dr. Houston Texas 77074

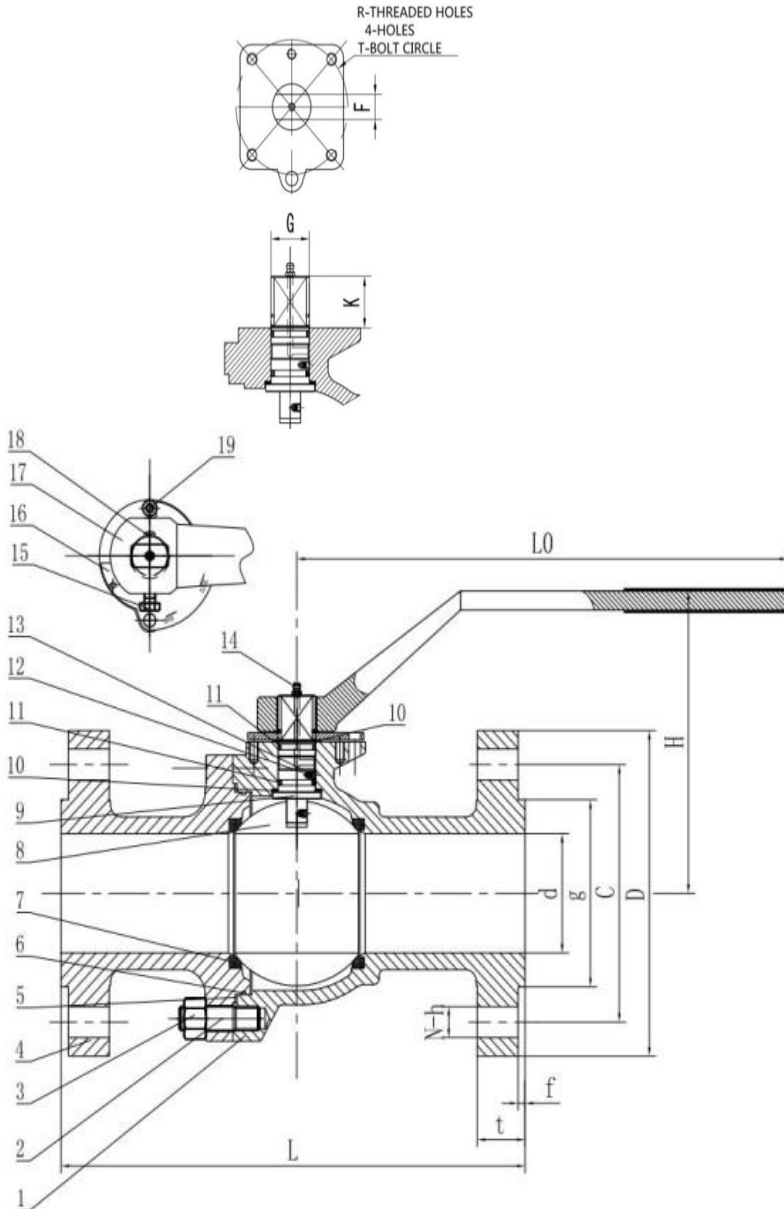
Tel: 832-480-3855, e-mail: sales@topoilfieldproducts.com



TOP OILFIELD PRODUCTS

FLANGED END BALL VALVE-FLOATING

TBBF CLASS 150 SERIES (2PC)



Parts & Materials

| NO. | Description | Material |
|-----|----------------------|------------------|
| 1 | BODY | ASTM A216 WCB |
| 2 | STUD | ASTM A193 B7 |
| 3 | NUT | ASTM A194 2H |
| 4 | ADAPTER CAP | ASTM A216 WCB |
| 5 | GASKET BODY | SS304 + GRAPHITE |
| 6 | O-RING BODY | VITON |
| 7 | SEAT * | PTFE + 15% GF |
| 8 | BALL * | SS316 |
| 9 | STEM * | SS316 |
| 10 | STEM GASKET | PTFE |
| 11 | O-RING STEM | VITON |
| 12 | ANTISTATIC STEEL BAL | SS304 |
| 13 | ANTISTATIC SPRING | SS304 |
| 14 | GREASE ZERK | CARBON STEEL |
| 15 | HANDLE SCREW | CARBON STEEL |
| 16 | STOP PLATE | CS + ZINC |
| 17 | HANDLE | DUCTILE IRON |
| 18 | RETAINER | CARBON STEEL |
| 19 | STOP SCREW | CARBON STEEL |

(*Customer Requirements)