



TOP OILFIELD PRODUCTS

FLANGED END BALL VALVE-FLOATING

TFBF CLASS 600 SERIES (2PC)

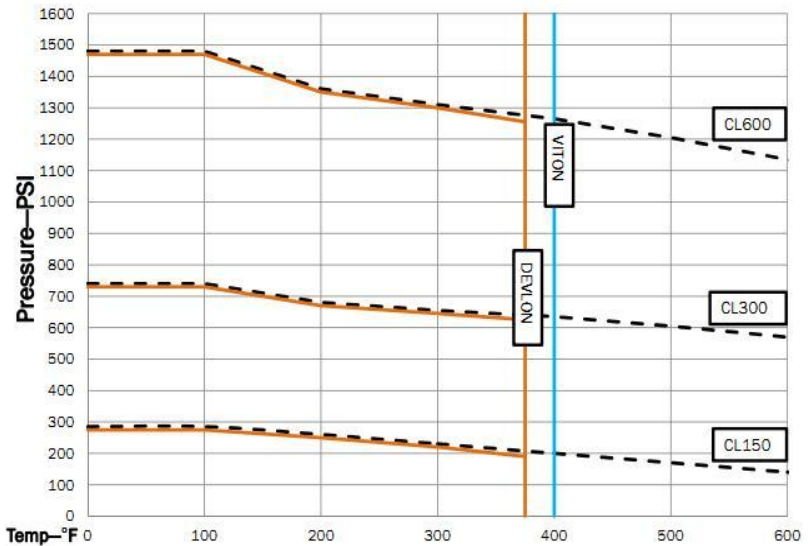


Features:

- WCB Cast Body and Adapter Cap
- Anti blowout proof stem design
- Valves Designed to API 6D
- Valves meet ASME B16.34 B16.10 B16.5 and BS5351
- Fire tested to API 6FA
- Locking Devices Standard for Lever or Gear Operated and *Pneumatic Actuated Valves (optional)
- NACE MR0175
- Antistatic grounding between ball/stem and body
- ISO 5211 Compatible Mounting Pads

Carbon Steel
WCB
ASME B16.34 Ratings
Material Limits

Pressure Temperature Ratings



Specifications

| | | |
|---------------------|---------|---------|
| NOMINAL PRESSURE | 1481psi | 10.2Mpa |
| SHELL STRENGTH | 2225psi | 15.3Mpa |
| SEALING TEST | 1630psi | 11.5Mpa |
| AIR SEAT PING (AIR) | 80.8psi | 0.55Mpa |

*Media being ambient water

Dimensions(in)

| NPS | L | D | C | g | d | N | h | t | f | H | R | T | G | F | K | LO | Torque ft.lb | Weight Lbs |
|-----|-------|-------|------|------|------|---|------|------|------|------|--------|------|------|------|------|-------|-----------------|---------------|
| 1" | 8.50 | 4.87 | 3.50 | 2.00 | 1.00 | 4 | 0.75 | 0.71 | 0.25 | 4.27 | M6 | 1.80 | 0.63 | 0.37 | 0.94 | 6.22 | 25 | 16.0 |
| 2" | 11.50 | 6.50 | 5.00 | 3.62 | 1.93 | 8 | 0.75 | 1.00 | 0.25 | 5.91 | 1/4-20 | 1.75 | 0.86 | 0.55 | 0.98 | 12.00 | 100 | 44.3 |
| 3" | 14.00 | 8.27 | 6.63 | 5.00 | 2.91 | 8 | 0.87 | 1.25 | 0.25 | 6.88 | 3/8-16 | 4.00 | 1.24 | 0.86 | 1.34 | 20.00 | 180 | 87.0 |
| 4" | 17.00 | 10.75 | 8.50 | 6.18 | 3.94 | 8 | 1.00 | 1.50 | 0.25 | 9.11 | 3/8-16 | 4.24 | 1.37 | 0.94 | 1.56 | 31.50 | 240 | 158.7 |

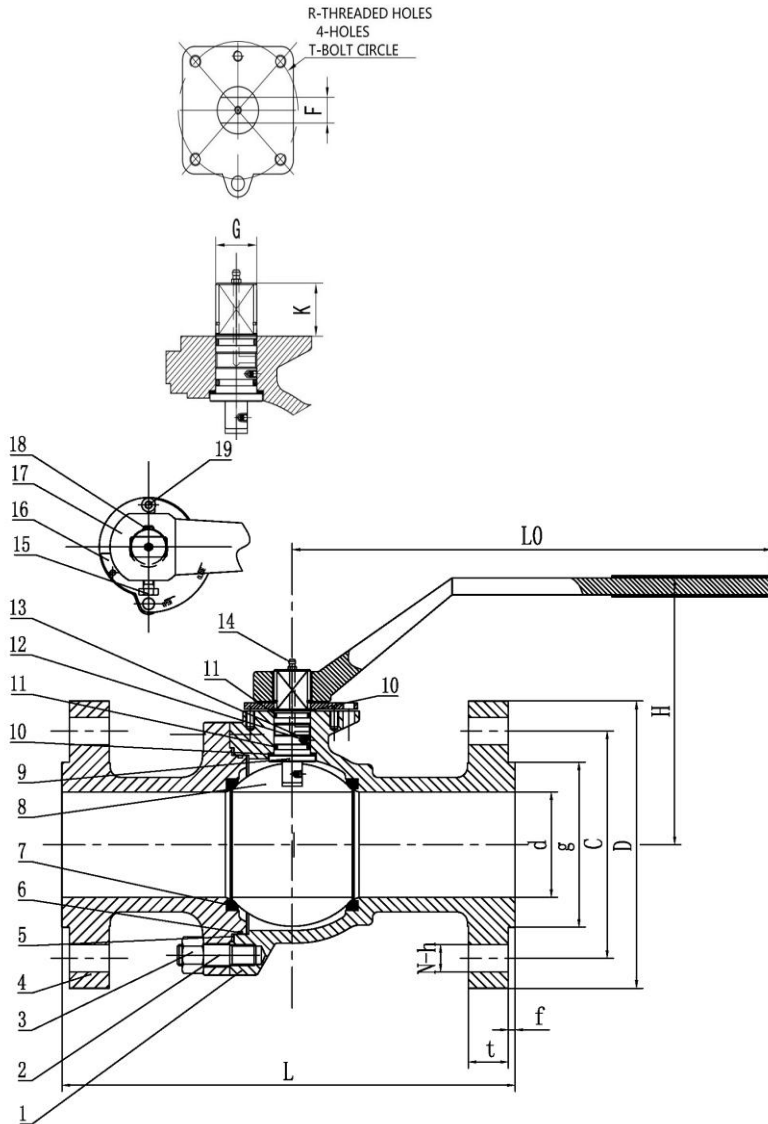
Address: 9239 Alberene Dr. Houston Texas 77074
Tel: 832-480-3855, e-mail: sales@topoilfieldproducts.com



TOP OILFIELD PRODUCTS

FLANGED END BALL VALVE-FLOATING

TFBF CLASS 600 SERIES (2PC)



Parts & Materials

| No. | Description | Material |
|-----|-----------------------|------------------|
| 1 | BODY | ASTM A216 WCB |
| 2 | STUD | ASTM A193 B7 |
| 3 | NUT | ASTM A194 2H |
| 4 | ADAPTER CAP | ASTM A216 WCB |
| 5 | GASKET BODY | SS304 + GRAPHITE |
| 6 | O-RING BODY | VITON |
| 7 | SEAT* | PTFE + 15% GF |
| 8 | BALL* | SS316 |
| 9 | STEM* | SS316 |
| 10 | STEM GASKET | PTFE |
| 11 | O-RING STEM | VITON |
| 12 | ANTISTATIC STEEL BALL | SS304 |
| 13 | ANTISTATIC SPRING | SS304 |
| 14 | GREASE ZERK | CARBON STEEL |
| 15 | HANDLE SCREW | CARBON STEEL |
| 16 | STOP PLATE | CS + ZINC |
| 17 | HANDLE | DUCTILE IRON |
| 18 | RETAINER | CARBON STEEL |
| 19 | STOP SCREW | CARBON STEEL |

(*Customer Requirements)