



TOP OILFIELD PRODUCTS

FLANGED END BALL VALVE-FLOATING

TFBR CLASS 600 SERIES (2PC-RP)



Features:

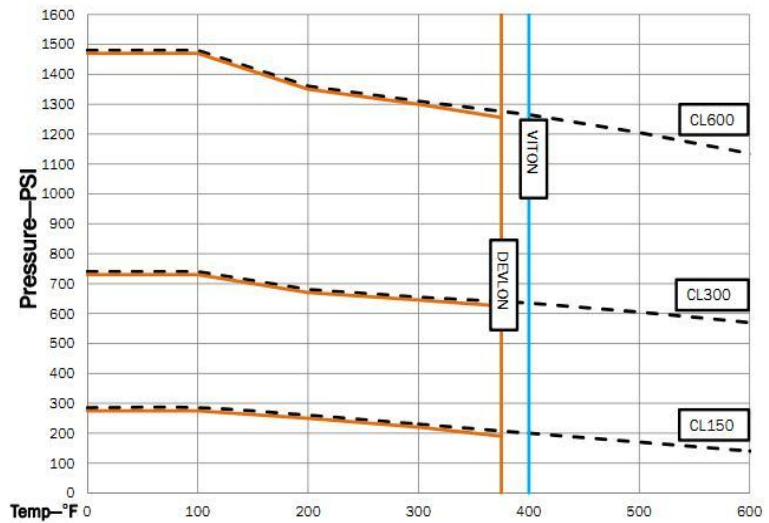
- WCB Cast Body and Adapter Cap
- Anti blowout proof stem design
- Valves Designed to API 6D
- Valves meet ASME B16.34 B16.10 B16.5 and BS5351
- Fire tested to API 6FA
- Locking Devices Standard for Lever or Gear Operated and
*Pneumatic Actuated Valves (optional)
- NACE MR0175
- Antistatic grounding between ball/stem and body
- ISO 5211 Compatible Mounting Pads

Specifications		
NOMINAL PRESSURE	1480psi	10.2Mpa
SHELL STRENGTH	2225psi	15.3Mpa
SEALING TEST	1630psi	11.5Mpa
AIR SEAT PING (AIR)	80.8psi	0.55Mpa

*Media being ambient water

Carbon Steel
WCB
ASME B16.34 Ratings
Material Limits

Pressure Temperature Ratings



Dimensions(in)

NPS	L	D	C	g	d	N	h	t	f	H	R	T	G	F	K	LO	Torque ft.lb	Weight Lbs
2x1/2"	11.5	6.5	5	3.62	1.5	0.3	0.75	1.02	0.25	6.17	0.4	3.62	0.87	0.55	1.07	12.01	55	36.6
3x2"	14	8.27	6.63	5	2	0.3	0.87	1.26	0.25	6.72	0.34	3.62	0.87	0.55	1.2	12.01	100	66.84

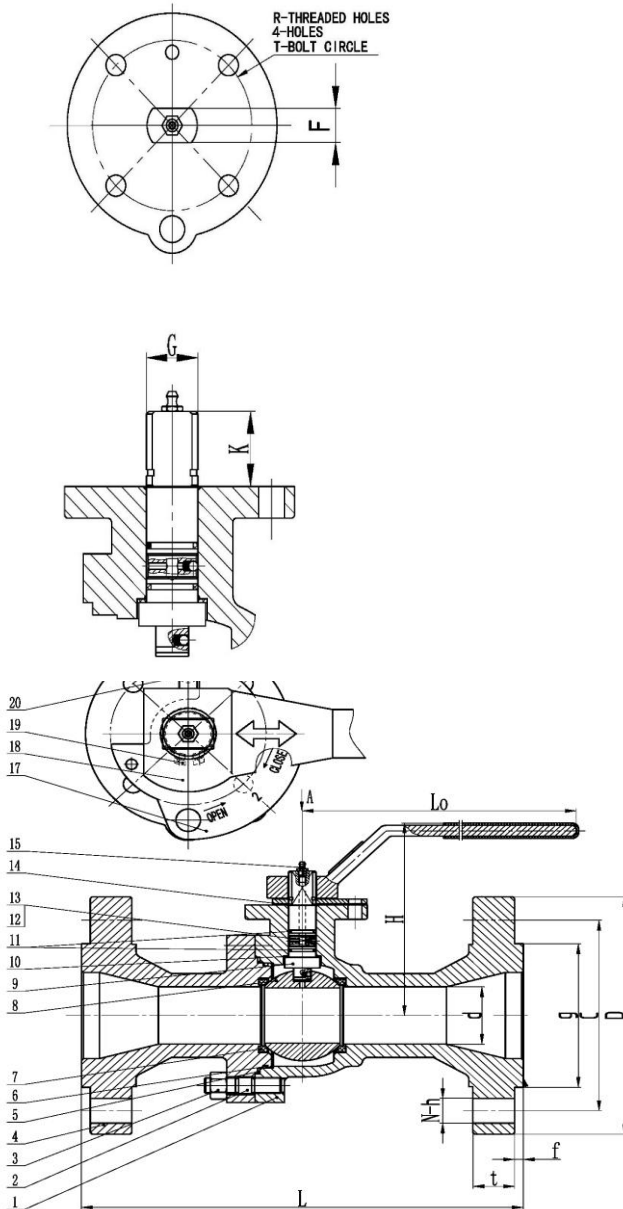
Address: 9239 Alberene Dr. Houston Texas 77074
Tel: 832-480-3855 e-mail: sales@topoilfieldproducts.com



TOP OILFIELD PRODUCTS

FLANGED END BALL VALVE-FLOATING

TFBR CLASS 600 SERIES (2PC-RP)



Parts & Materials

No.	Description	Material
1	BODY	ASTM A216 WCB
2	STUD	ASTM A193 B7
3	NUT	ASTM A194 2H
4	ADAPTER CAP	ASTM A216 WCB
5	GASKET BODY	SS304 + GRAPHITE
6	O-RING BODY	VITON
7	SEAT*	DEVLON
8	BALL*	SS316 / A105+ENP
9	STEM*	SS316
10	STEM GASKET	PTFE
11	O-RING STEM	VITON
12	ANTISTATIC STEEL BALL	SS304
13	ANTISTATIC SPRING	SS304
14	GASKET	PTFE
15	GREASE ZERK	CARBON STEEL
16	HANDLE SCREW	CARBON STEEL
17	STOP PLATE	CS + ZINC
18	HANDLE	DUCTILE IRON
19	SNAP RING	SPRING STEEL
20	STOP SCREW	CARBON STEEL

(*Customer Requirements)