



TOP OILFIELD PRODUCTS

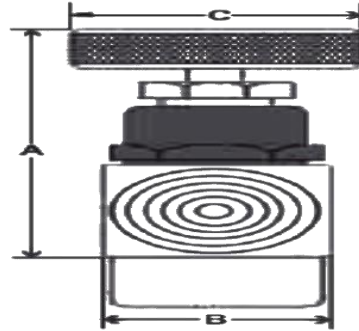
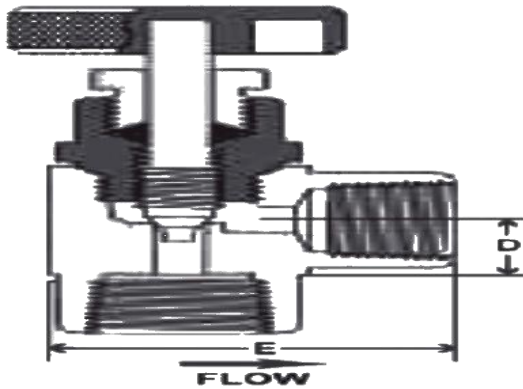
TNCNA 10000 (M X F)

CARBON STEEL ANGLE NEEDLE VALVE



Specifications:

- RATED TO 10000 PSI
- CARBON STEEL CONSTRUCTION
- TEFLON / VITON PACKING AND SEALS
- WORKING TEMPERATURE (-20 DEG. F TO 200 DEG. F)
- THREADS CONFORM TO ASME B1.20.1
- NACE MR0175



Dimensions(in)

NPS	Part #	Style	A	B	C	D	E
1/2"	TNCNA8M8FT	M x F	4.77	1.267	2.25	1.4	1.81

Due to continuous improvements, design may change without prior notice

Address: 9239 Alberene Dr. Houston Texas 77074
 Tel: 832-480-3855, e-mail: sales@topoilfieldproducts.com