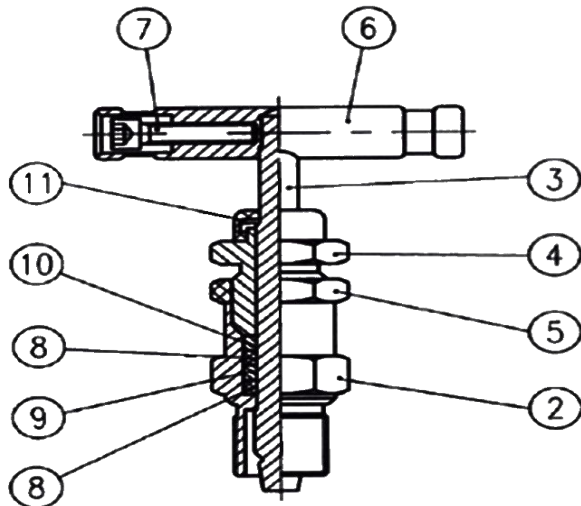




# TOP OILFIELD PRODUCTS

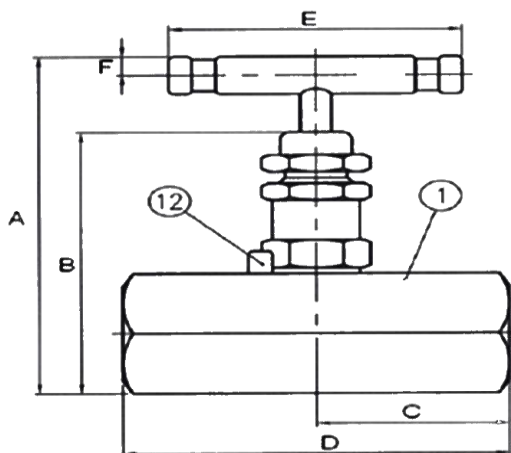
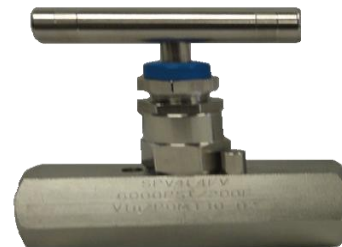
## TNSPV 10000 (F X F)

### STAINLESS STEEL NEEDLE VALVE



#### Specifications:

- RATED TO 10000 PSI (T TYPE)
- STAINLESS STEEL CONSTRUCTION
- TEFLON PACKING
- WORKING TEMPERATURE (-20 DEG. F TO 200 DEG. F)
- THREADS CONFORM TO ASME B1.20.1
- NACE MR0175



#### Dimensions(in)

| NPS  | Part #        | Description                      | A    | B    | C    | D    | E    |
|------|---------------|----------------------------------|------|------|------|------|------|
| 1/4" | *TNSPV4F4FT   | STAINLESS STEEL (F x F) 10000PSI | 3.85 | 1.49 | 2.95 | 2.24 | 0.19 |
| 1/2" | *TNSPV8F8FT   | STAINLESS STEEL (F x F) 10000PSI | 3.85 | 1.49 | 2.95 | 2.24 | 0.19 |
| 3/4" | *TNSPV12F12FT | STAINLESS STEEL (F x F) 10000PSI | 3.85 | 1.49 | 2.95 | 2.24 | 0.19 |
| 1"   | *TNSPV16F16FT | STAINLESS STEEL (F x F) 10000PSI | 3.85 | 1.49 | 2.95 | 2.24 | 0.19 |

#### Parts & Materials

| NO. | Description         | Materials    |
|-----|---------------------|--------------|
| 1   | BODY                | SS316        |
| 2   | BONNET              | SS316        |
| 3   | STEM                | SS316        |
| 4   | PACKING NUT         | SS316        |
| 5   | FIXING SCREW        | SS316        |
| 6   | HANDLE              | SS303        |
| 7   | HANDLE FIXING SCREW | SS302        |
| 8   | PACKING             | VIOTN O-RING |
| 9   | BACK UP RING        | TEFLON       |
| 10  | BACK UP RING        | TEFLON       |
| 11  | DUST CAP            | NBR          |
| 12  | BONNET LOCK PIN     | SS303        |

Due to continuous improvements, design may change without prior notice.

\*Asterisked sizes are available from the manufacture upon request. (90+day lead time)

Address: 9239 Alberene Dr. Houston Texas 77074  
 Tel: 832-480-3855, e-mail: sales@topoilfieldproducts.com